

TECHNICAL DETAIL

Waterproofing a base slab and walls below ground Not to Scale

Drawing BCP365-01A. Version 1.0, Created: 9/2/21 Drawn by: EK

Contact Aquafin Technical Support for questions and product support

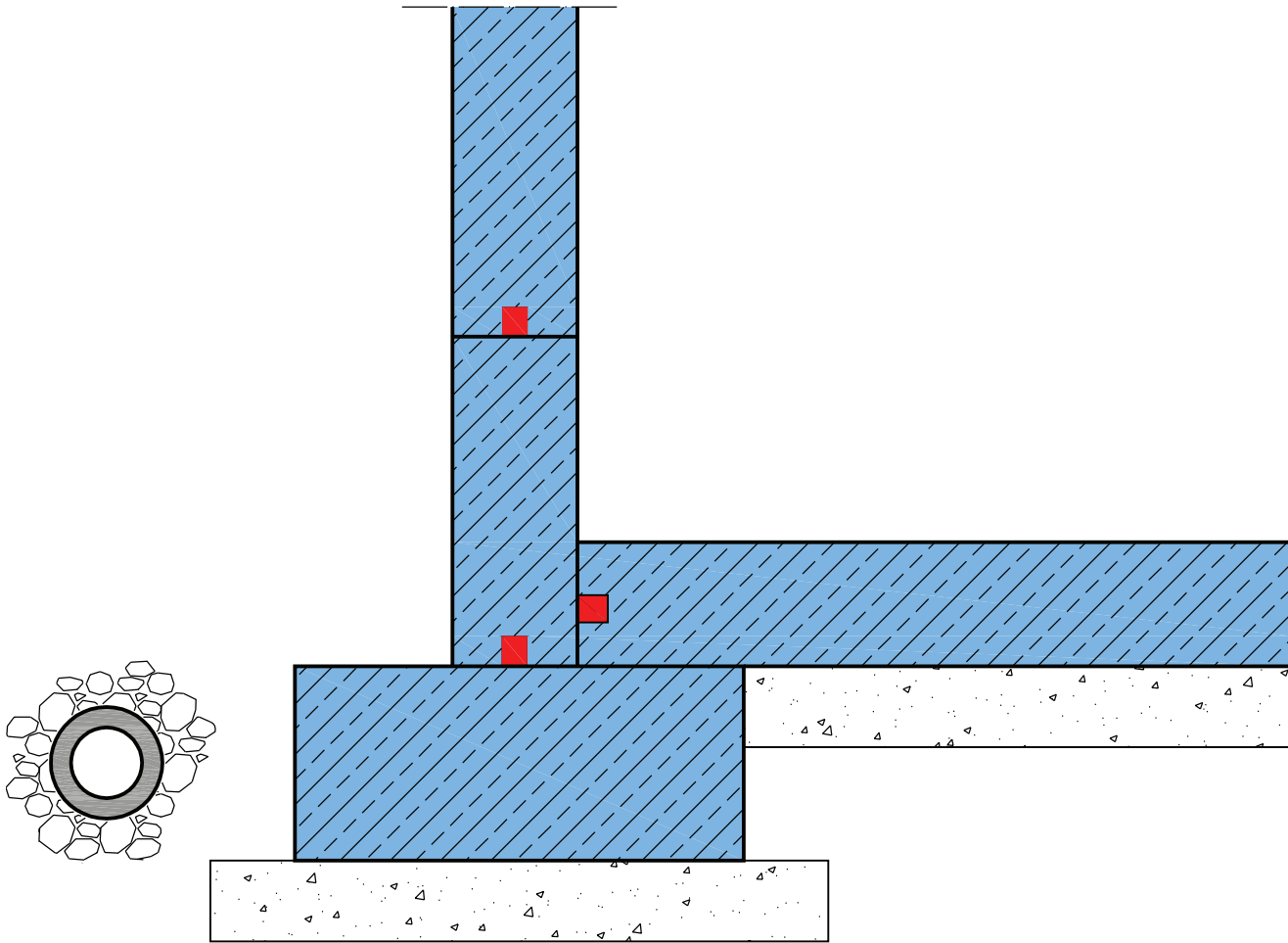


AQUAFIN

AQUAFIN, Inc.

505 Blue Ball Rd., #160, Elkton, MD 21921

Toll Free: 1-866-AQUAFIN web: www.aquafin.net



Reinforced concrete with BETOCRETE-CP365-CI



Construction joint waterproofing with Waterstop-Strip



Mud slab

TECHNICAL DETAIL

Waterproofing a base slab and walls below ground Not to Scale

Drawing BCP365-01B. Version 1.0, Created: 9/2/21 Drawn by: EK

Contact Aquafin Technical Support for questions and product support

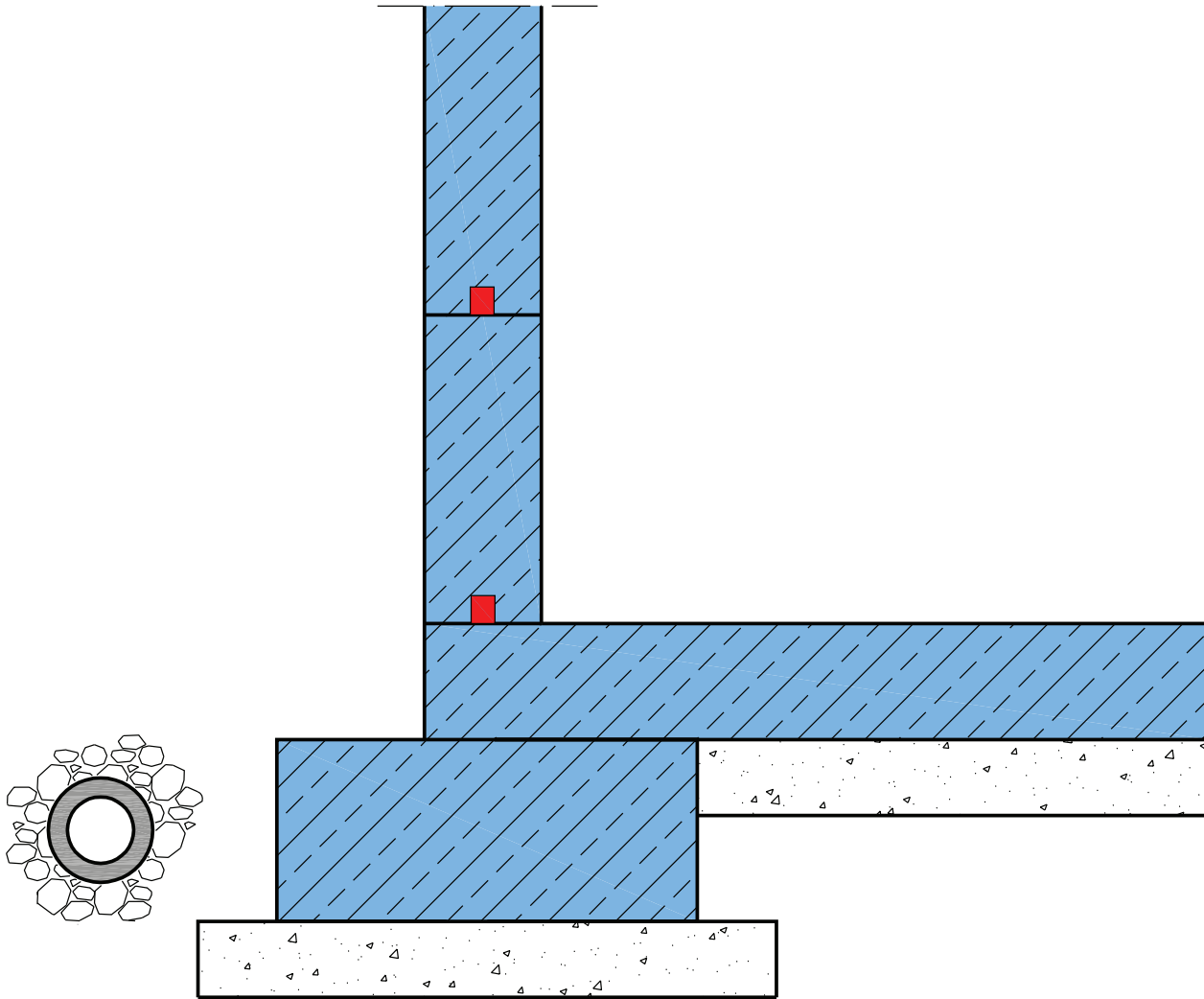


AQUAFIN

AQUAFIN, Inc.

505 Blue Ball Rd., #160, Elkton, MD 21921

Toll Free: 1-866-AQUAFIN web: www.aquafin.net



Reinforced concrete with BETOCRETE-CP365-CI



Construction joint waterproofing with Waterstop-Strip



Mud slab

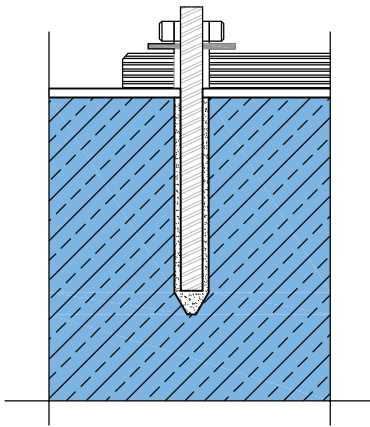
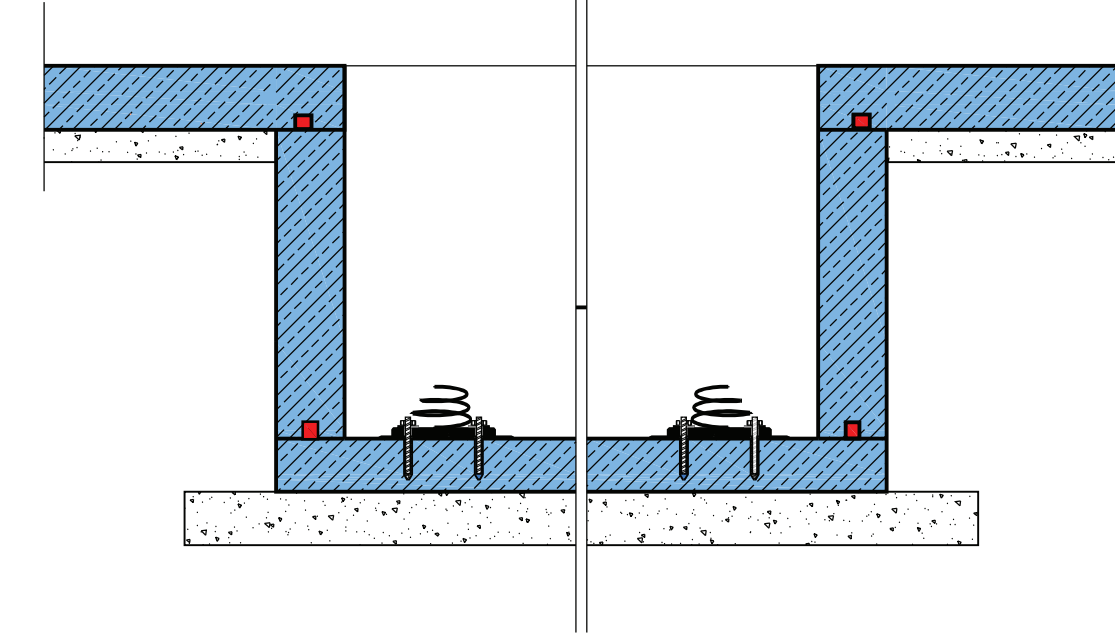
TECHNICAL DETAIL

Waterproofing elevator pits Not to Scale

Drawing BCP365-02. Version 1.0, Created: 9/2/21 Drawn by: EK
Contact Aquafin Technical Support for questions and product support



AQUAFIN, Inc.
505 Blue Ball Rd., #160, Elkton, MD 21921
Toll Free: 1-866-AQUAFIN web: www.aquafin.net



Reinforced concrete with BETOCRETE-CP365-CI



Construction joint waterproofing with Waterstop-Strip



Mud slab

TECHNICAL DETAIL

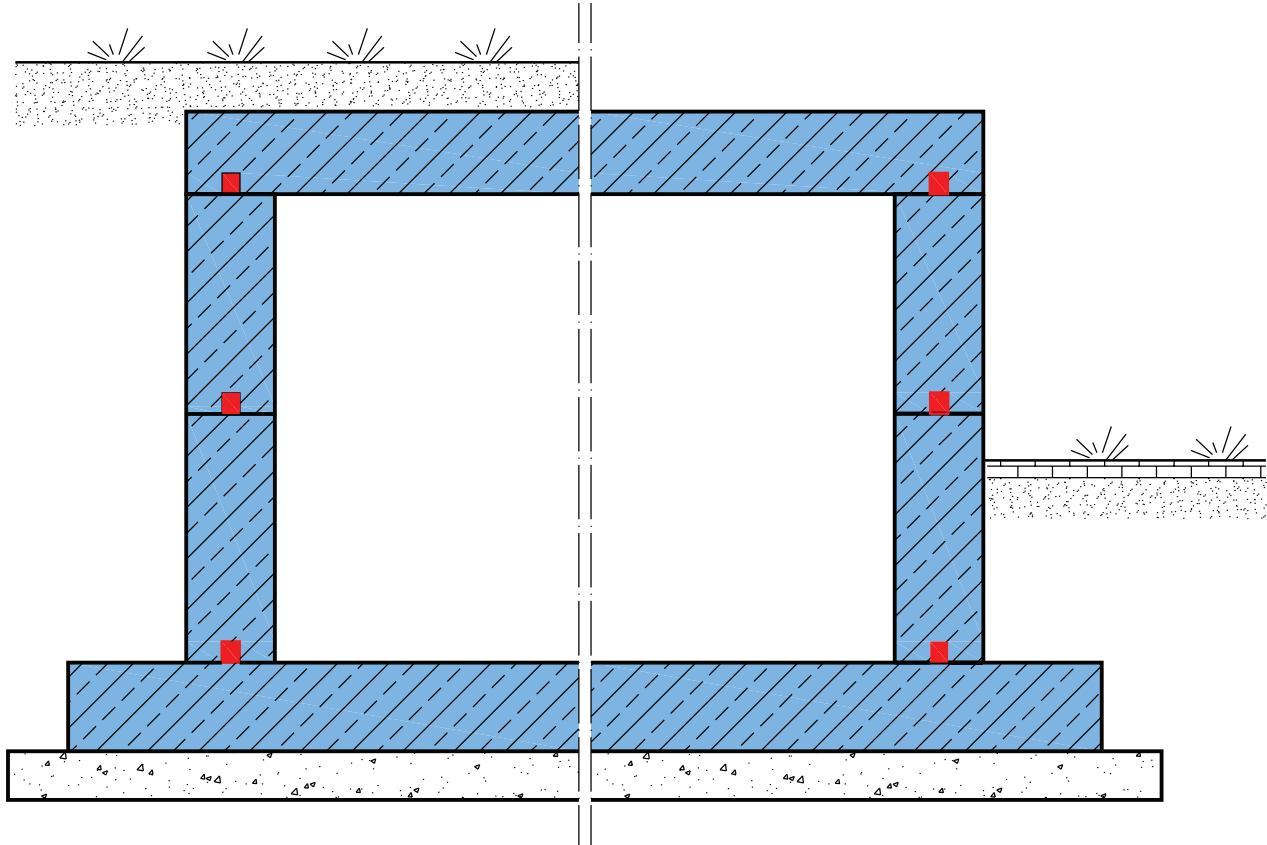
Waterproofing a water tank Not to Scale

Drawing BCP365-03. Version 1.0, Created: 9/2/21 Drawn by: EK
Contact Aquafin Technical Support for questions and product support



AQUAFIN

AQUAFIN, Inc.
505 Blue Ball Rd., #160, Elkton, MD 21921
Toll Free: 1-866-AQUAFIN web: www.aquafin.net



Reinforced concrete with BETOCRETE-CP365-CI



Construction joint waterproofing with Waterstop-Strip



Mud slab

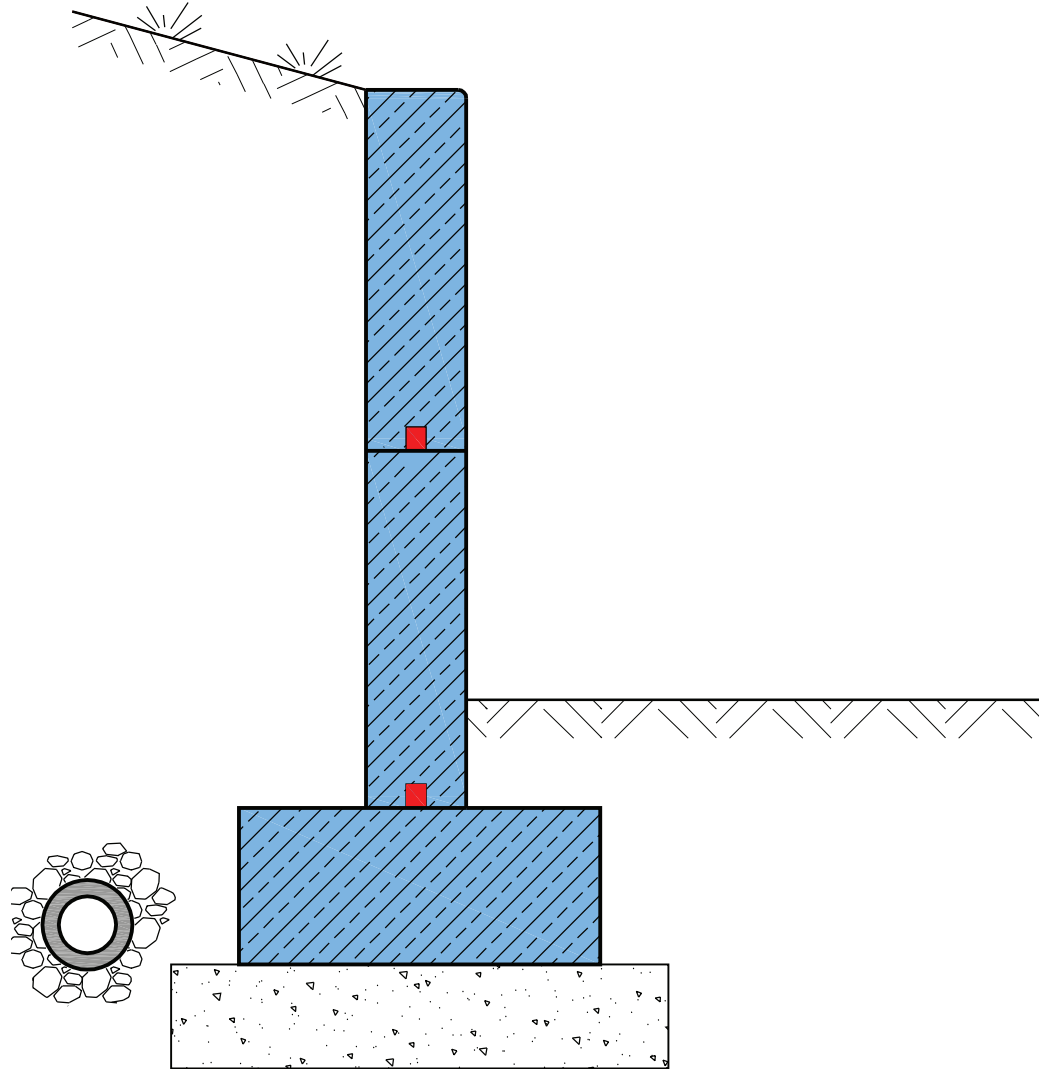
TECHNICAL DETAIL

Waterproofing a retaining wall Not to Scale

Drawing BCP365-04. Version 1.0, Created: 9/2/21 Drawn by: EK
Contact Aquafin Technical Support for questions and product support



AQUAFIN, Inc.
505 Blue Ball Rd., #160, Elkton, MD 21921
Toll Free: 1-866-AQUAFIN web: www.aquafin.net



Reinforced concrete with BETOCRETE-CP365-CI



Construction joint waterproofing with Waterstop-Strip



Mud slab